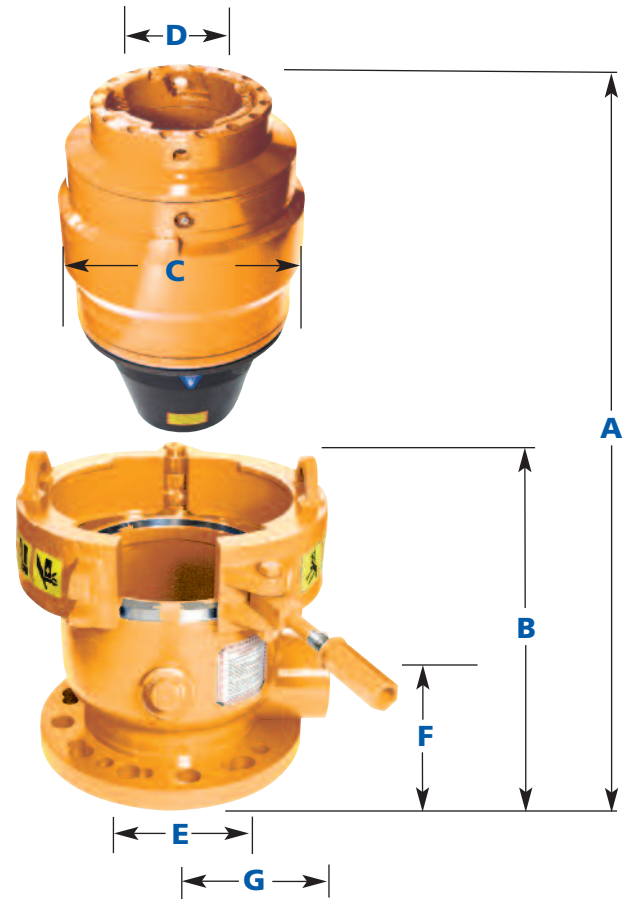


SERIES 1400 ROTATING CONTROL DEVICES ("SHORTY")

The Washington Series 1400 "Shorty" Control Device has become the most popular design and offers the same durability and dependability as the 1300 series, with one considerable advantage, a much lower profile. The 1400 Series can be used with or without Drive Bushings and because it is so compact has become a very versatile Rotating Control Device. The 1400 Series Control Device utilizes our 4010 Stripper Rubbers and will seal off all drill steel from 2"-8" OD.

AVAILABLE OUTLET FLANGES

Size	Ring Gasket
7 ¹ / ₁₆ " - 3000	R-45
9" - 3000	R-49
11" - 3000	R-53



Nominal Flange Size	A	B	C	Sleeve Bore D	Body Bore E	F	G	Ring Gasket
11" - 3000	29"	22 ¹ / ₂ "	17"	8 ¹ / ₈ "	11 ¹ / ₈ "	6"	12 ¹ / ₂ "	R-53
11" - 5000	29"	22 ¹ / ₂ "	17"	8 ¹ / ₈ "	11 ¹ / ₈ "	6"	12 ¹ / ₂ "	R-54
13 ⁵ / ₈ " - 3000	29"	22 ¹ / ₂ "	17"	8 ¹ / ₈ "	14"	6"	13 ¹ / ₂ "	R-57
13 ³ / ₈ " - 5000	29"	22 ¹ / ₂ "	17"	8 ¹ / ₈ "	14"	6"	13 ¹ / ₂ "	BX-160

WHEN ORDERING, PLEASE SPECIFY:

1. model number
2. lower flange size
3. outlet flange size
4. Kelly size and shape
5. drill pipe size
6. drilling environment

All bowls are double-drilled 3M/5M using the 3M ring gasket. Other combinations are available upon request.