

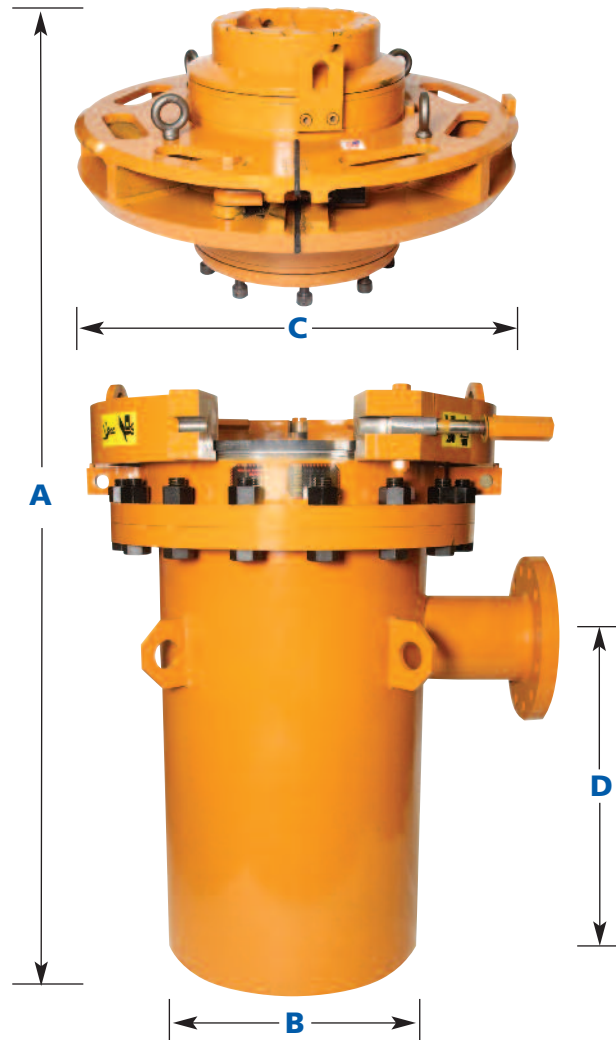


SERIES 1352 WELD-ON SURFACE EQUIPMENT 16", 20", 24", 30"

The Washington Series 1352, weld-on surface equipment, is an innovative response to new requests from the field. The bowls are designed for 16" - 30" casing and can utilize either our 1300 or 1400 Series Rotating Control Device. The new "True Bore" 30" bowl with split bearing adapter will allow for the use of larger diameter tools, up to 28¾". Additionally, you can use one weld-on bowl for your entire casing program by simply changing out the lower portion to match your respective casing size. Casing runners are available for all bowl sizes and will seal from 7" to 20" casing, depending on the bowl that is utilized.

AVAILABLE OUTLETS

| |
|------------------------------------|
| 7 ¹ / ₆ - 3M |
| 9 - 3M |
| 11 - 3M |



| Casing Size | Overall Height A | Body Bore B | Bearing Adapter OD C | Outlet Height D |
|-------------|------------------|-------------|----------------------|-----------------|
| 16 | 67¼" | 15½" | 17" | 36" |
| 20 | 63¼" | 19¾" | 21" | 36" |
| 24 | 63¼" | 20¼" | 21½" | 36" |
| 30 | 64" | 26¼" | 27¼" | 36" |
| 30 | 64¾" | 30¼" | 31¼" | 36" |

WHEN ORDERING, PLEASE SPECIFY:

1. casing size
2. outlet flange size
3. drill pipe size
4. largest tool OD