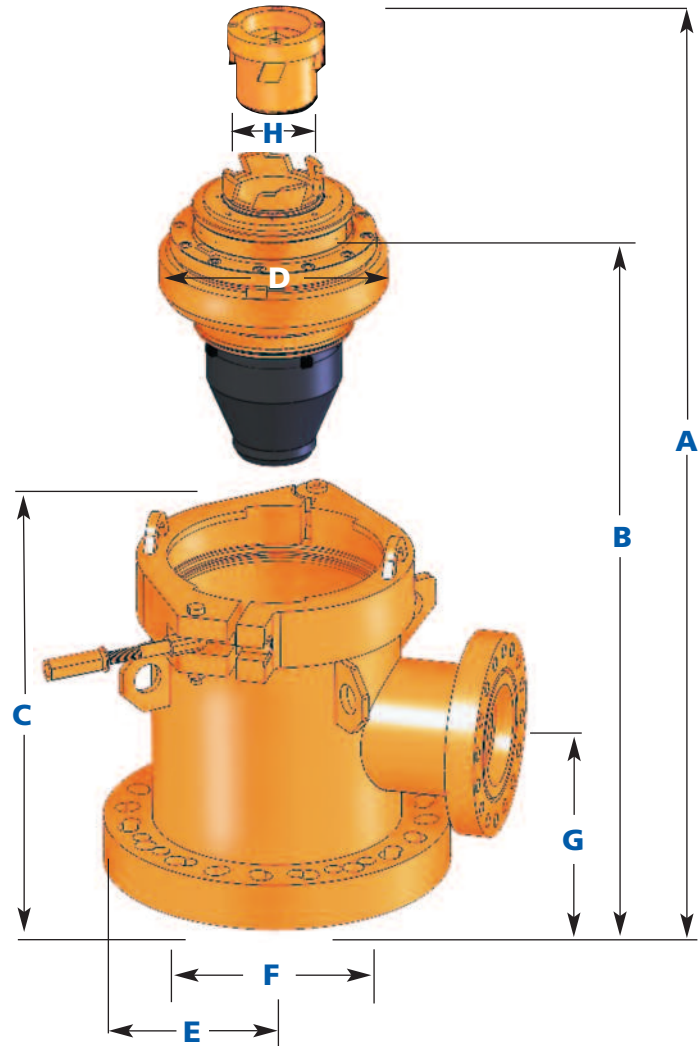


SERIES 1300 ROTATING CONTROL DEVICES 20" thru 30"

The Washington Series 1300 is the original Rotating Control Device. This unit is designed to seal off the drill string components continuously and divert all cuttings and debris away from the rig. Designed Top Head and for Kelly Drive rigs, these units can handle up to a 5¼" Hex and 4½" Square. Bore sizes are listed below and most are stock items. The 1300 Series Control Device utilizes our 1024 Stripper Rubbers and will seal off all drill steel from 2" - 8" OD. We have a well stocked inventory of parts and excellent service to keep down time to a minimum.

MODEL 1300 SPECIFICATIONS

Dynamic Test Pressure (Rotating)	350 p.s.i.
Static Test Pressure	600 p.s.i.
Maximum r.p.m. (Intermittent)	150 r.p.m.
Stripper Rubber Mounting	Screw-on
Rotary Table Drive	Yes
Top Drive	Yes
Oil System	Self-contained pressurized



Nominal Flange Size	A	B	C	D	E	Body Bore F	G	Sleeve Bore H	Ring Gasket	Outlet Flange
20"-3000	42⅞"	40¼"	33½"	21"	22⅜"	20"	16½"	8⅞"	R-74	11" - 3000
20¾"-3000	41"	38⅜"	31½"	22¼"	22½"	20¾"	16½"	8⅞"	R-74	11" - 3000
21¼"-2000	40⅞"	37⅜"	30⅝"	22¼"	22½"	21¼"	15⅝"	8⅞"	R-73	11" - 3000
30"-1000	38⅞"	36¾"	29"	31¼"	26"	30½"	16½"	8⅞"	R-95	11" - 3000

WHEN ORDERING, PLEASE SPECIFY:

1. model number
2. lower flange size
3. outlet flange size
4. Kelly size and shape
5. drill pipe size
6. drilling environment
7. high temperature, if applicable.

All air bowls can be fitted with female collared or flanged outlets at your request. All air bowls can be double drilled at your request.