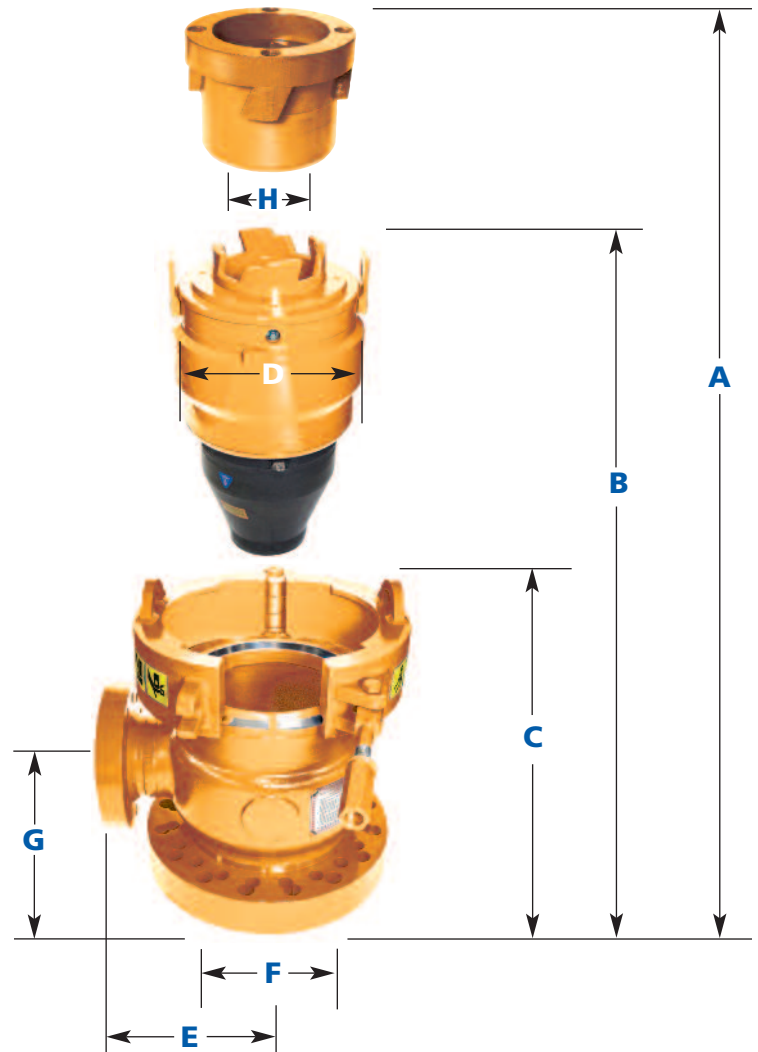


SERIES 1300 ROTATING CONTROL DEVICES 11" thru 16"

The Washington Series 1300 is the original Rotating Control Device. This unit is designed to seal off the drill string components continuously and divert all cuttings and debris away from the rig. Designed Top Head and for Kelly Drive rigs, these units can handle up to a 5¼" Hex and 4½" Square. Bore sizes are listed below and most are stock items. The 1300 Series Control Device utilizes our 1024 Stripper Rubbers and will seal off all drill steel from 2" - 8" OD. We have a well stocked inventory of parts and excellent service to keep down time to a minimum.

AVAILABLE OUTLET FLANGES

Size	Ring Gasket
7½" - 3000	R-45
9" - 3000	R-49
11" - 3000	R-53



Nominal Flange Size	A	B	C	D	E	Body Bore F	G	Sleeve Bore H	Ring Gasket
11"-3000	37½"	35½"	29"	17"	17"	11⅞"	11⅞"	8⅞"	R-53
11"-5000	37½"	35½"	29"	17"	17"	11⅞"	11⅞"	8⅞"	R-54
13⅝"-3000	36¾"	34⅞"	27¾"	17"	17"	14"	11¾"	8⅞"	R-57
13⅝"-5000	37¾"	35½"	28¾"	17"	17"	14"	12¼"	8⅞"	BX-160

WHEN ORDERING, PLEASE SPECIFY:

1. model number
2. lower flange size
3. outlet flange size
4. Kelly size and shape
5. drill pipe size
6. drilling environment

All bowls are double-drilled 3M/5M using the 3M ring gasket. Other combinations are available upon request.